

Description

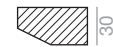
Table program available in different base types and table tops. Central polyethylene bases available in various colors. Wooden board tops of different shapes and sizes, available in oak finish, lacquered, laminate, HPL, Dekton, and glass. Versions of bases and table tops in cement finish. Connection box available. Registrable door available.

Wood finish

Oak



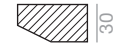
Edge



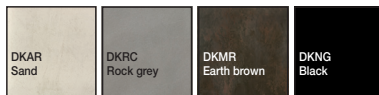
Premium finish and wood lacquers



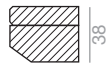
Edge



Dekton Stone finish



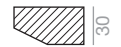
Edge



Laminate



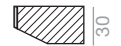
Edge



Laminate TP*



Edge



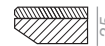
*Laminate table top with matching thermopolymer edge.

Glass finish

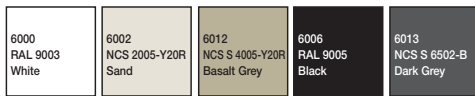
Tops



Edge



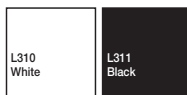
Polyethylene finish



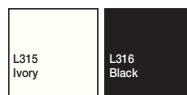
Cement finish



Ultra-matte finish



Linoleum finish



Calacatta marble



Marble finish



Carrara white

Bamboo marble



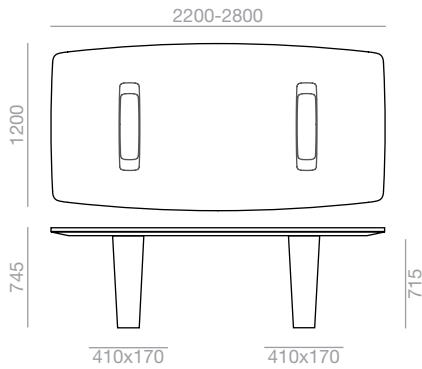
Power box



Intellectual property

All our collections are protected by international industrial design registries, designs patents, copyrights and Intellectual Property laws. Unauthorised use of AW International Property is a criminal offence and can lead to prosecution.



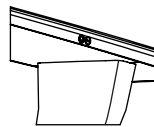


Top measures	Packaging info.			Table top													
				Oak		S600		Lacquered		Laminate		Laminate TP		Dekton Stone		Optical Glass	
				Ref.	¥	¥	Ref.	¥	Ref.	¥	Ref.	¥	Ref.	¥	Ref.	¥	
2200x1200	0,63	127	x1	ME 02000	288.500	37.500	ME 02001	244.200	ME 02002	282.500	ME 02003	272.700	ME 02004	611.600	ME 02005	334.300	
2400x1200	0,63	127	x1	ME 02012	297.600	41.400	ME 02013	252.300	ME 02014	289.500	ME 02015	279.400	ME 02016	640.600	ME 02017	342.400	
2600x1200	0,63	127	x1	ME 02024	377.600	55.600	ME 02025	284.200	ME 02026	351.700	ME 02027	371.100	ME 02028	720.100	ME 02029	421.700	
2800x1200	0,63	127	x1	ME 02036	383.500	60.300	ME 02037	295.100	ME 02038	356.000	ME 02039	377.600	ME 02040	764.400	ME 02041	440.800	

Top measures	Packaging info.			Table top											
				Ivory linoleum		White ultra-matte		White ultra-matte TP		Calacatta marble		Bamboo marble		Carrara marble	
				Black linoleum		Black ultra-matte		Black ultra-matte TP							
Ref.	¥	Ref.	¥	Ref.	¥	Ref.	¥	Ref.	¥	Ref.	¥	Ref.	¥		
2200x1200	ME 02006	361.800	ME 02007	375.200	ME 02008	361.300	ME 02009	1.139.600	ME 02010	826.700	ME 02011	700.000			
2400x1200	ME 02018	378.100	ME 02019	386.000	ME 02020	367.800	ME 02021	1.177.400	ME 02022	864.600	ME 02023	736.200			
2600x1200	ME 02030	469.800	ME 02031	516.700	ME 02032	483.200	ME 02033	1.425.700	ME 02034	1.022.600	ME 02035	856.600			
2800x1200	ME 02042	491.400	ME 02043	521.000	ME 02044	489.900	ME 02045	1.465.700	ME 02046	1.062.100	ME 02047	895.900			

Amount of sand: 50 kg. (2x25 kg.)

2200x1200	2400x1200	2600x1200	2800x1200
-----------	-----------	-----------	-----------



Up charge for TOP-TECH Power Box.

149.200	151.300	153.100	155.100
---------	---------	---------	---------



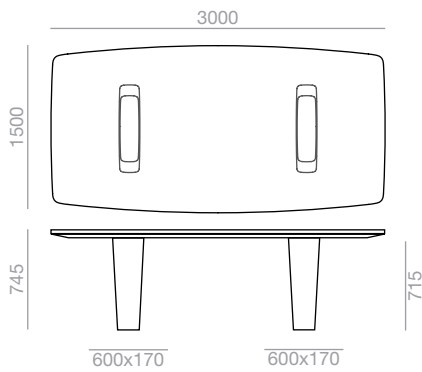
Up charge for double USB charge.

29.400



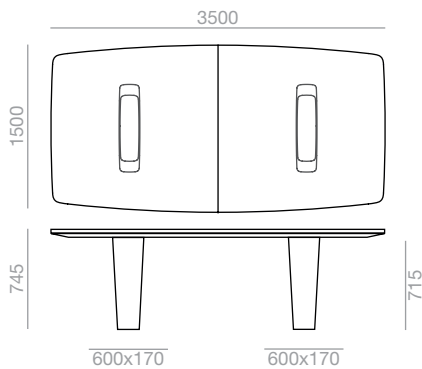
Up charge for power socket.

29.400






Top measures	Packaging info.			Table top										
				Oak		S600	Lacquered		Laminate		Laminate TP		Optical Glass	
				Ref.	¥	¥	Ref.	¥	Ref.	¥	Ref.	¥	Ref.	¥
3000x1500	0,63	127	x1	ME 02048	399.600	64.700	ME 02049	314.400	ME 02050	373.100	ME 02051	398.500	ME 02052	467.000

Top measures	Packaging info.														
				Ivory linoleum		White ultra-matte		White ultra-matte TP		Calacatta marble		Bamboo marble		Carrara marble	
				Ref.	¥	Ref.	¥	Ref.	¥	Ref.	¥	Ref.	¥	Ref.	¥
3000x1500	0,63	127	x1	ME 02053	506.400	ME 02054	536.100	ME 02055	506.400	ME 02056	2.049.000	ME 02057	1.389.400	ME 02058	1.117.500






Amount of sand: 50 kg. (2x25 kg.)

- 
 Up charge for TOP-TECH Power Box. 164.600
- 
 Up charge for double USB charge. 29.400
- 
 Up charge for power socket. 29.400

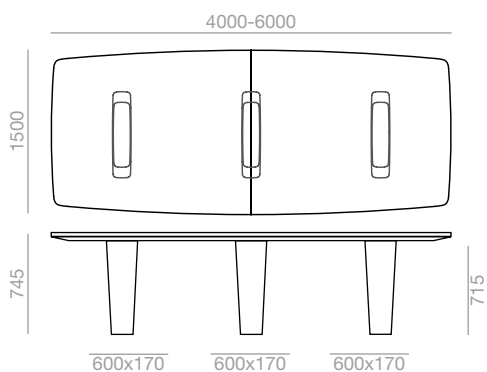
Top measures	Packaging info.			Table top										
				Oak		S600	Lacquered		Laminate		Laminate TP		Optical Glass	
				Ref.	¥	¥	Ref.	¥	Ref.	¥	Ref.	¥	Ref.	¥
3500x1500	0,63	127	x1	ME 02059	603.800	75.500	ME 02060	389.000	ME 02061	574.100	ME 02062	601.200	ME 02063	583.700

Top measures	Packaging info.														
				Ivory linoleum		White ultra-matte		White ultra-matte TP		Calacatta marble		Bamboo marble		Carrara marble	
				Ref.	¥	Ref.	¥	Ref.	¥	Ref.	¥	Ref.	¥	Ref.	¥
3500x1500	0,63	127	x1	ME 02064	861.100	ME 02065	904.200	ME 02066	824.400	ME 02067	2.410.800	ME 02068	1.641.000	ME 02069	1.323.900

- 
 Up charge for TOP-TECH Power Box. 206.400
- 
 Up charge for double USB charge. 29.400
- 
 Up charge for power socket. 29.400

¥ ※ 価格に消費税は含まれておりません。
JPY Suggested Retail Price.



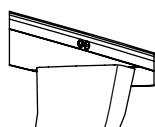


Top measures	Packaging info.			Table top											
				Oak		S600		Lacquered		Laminate		Laminate TP		Optical Glass	
				Ref.	¥	¥	Ref.	¥	Ref.	¥	Ref.	¥	Ref.	¥	
4000x1500	0,63	127	x1	ME 02070	639.000	86.300	ME 02071	432.500	ME 02072	607.800	ME 02073	637.300	ME 02074	642.800	
4500x1500	0,63	127	x1	ME 02081	660.200	96.900	ME 02082	459.500	ME 02083	624.000	ME 02084	657.100	ME 02085	677.000	
5000x1500	0,63	127	x1	ME 02092	677.600	107.700	ME 02093	486.200	ME 02094	638.300	ME 02095	674.500	ME 02096	723.600	
5500x1500	0,63	127	x1	ME 02103	695.500	118.500	ME 02104	517.600	ME 02105	653.100	ME 02106	695.500	ME 02107	775.500	
6000x1500	0,63	127	x1	ME 02114	709.600	129.300	ME 02115	545.100	ME 02116	668.000	ME 02117	713.500	ME 02118	855.300	

Top measures	Packaging info.			Table top											
				Ivory linoleum		White ultra-matte		White ultra-matte TP		Calacatta marble		Bamboo marble		Carrara marble	
				Black linoleum		Black ultra-matte		Black ultra-matte TP							
Ref.	¥	Ref.	¥	Ref.	¥	Ref.	¥	Ref.	¥	Ref.	¥				
4000x1500	ME 02075	895.200	ME 02076	937.900	ME 02077	861.200	ME 02078	2.787.000	ME 02079	1.943.400	ME 02080	1.595.900			
4500x1500	ME 02086	912.700	ME 02087	954.100	ME 02088	870.000	ME 02089	2.881.500	ME 02090	1.964.400	ME 02091	1.586.900			
5000x1500	ME 02097	929.100	ME 02098	968.400	ME 02099	897.700	ME 02100	3.098.500	ME 02101	2.108.700	ME 02102	1.700.900			
5500x1500	ME 02108	947.500	ME 02109	986.300	ME 02110	919.000	ME 02111	3.319.300	ME 02112	2.255.500	ME 02113	1.817.600			
6000x1500	ME 02119	962.600	ME 02120	1.000.900	ME 02121	936.700	ME 02122	3.536.700	ME 02123	2.400.200	ME 02124	1.931.900			

Amount of sand: 333 kg. (3x50 kg.)
 Cantidad de arena 333 lbs. (3x111 lbs.)

4000x1500	4500x1500	5000x1500	5500x1500	6000x1500
-----------	-----------	-----------	-----------	-----------



Up charge for TOP-TECH Power Box.

210.900 215.500 220.200 225.000 232.800



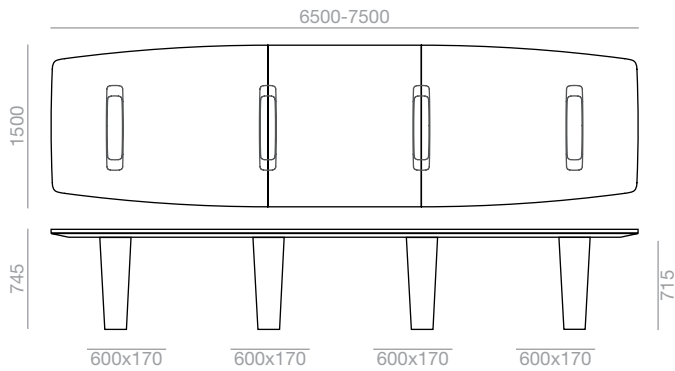
Up charge for double USB charge.

29.400



Up charge for power socket.

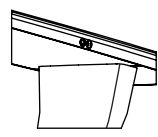


29.400

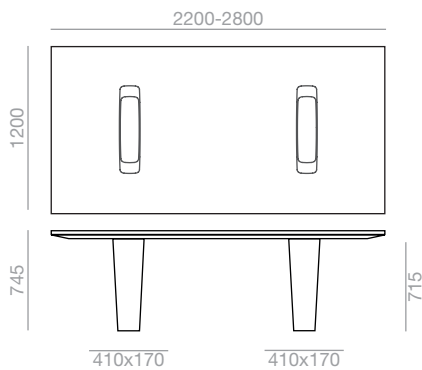


Top measures	Packaging info.			Table top										
				Oak		S600	Lacquered		Laminate		Laminate TP		Optical Glass	
				Ref.	¥	¥	Ref.	¥	Ref.	¥	Ref.	¥	Ref.	¥
6500x1500	0,63	127	x1	ME 02125	932.600	140.000	ME 02126	630.000	ME 02127	884.000	ME 02128	925.600	ME 02129	913.200
7000x1500	0,63	127	x1	ME 02136	950.000	150.800	ME 02137	651.100	ME 02138	897.700	ME 02139	942.500	ME 02140	967.200
7500x1500	0,63	127	x1	ME 02147	967.400	161.600	ME 02148	672.300	ME 02149	919.000	ME 02150	960.900	ME 02151	1.001.400

Top measures	Packaging info.			Table top											
				Ivory linoleum		White ultra-matte		White ultra-matte TP		Calacatta marble		Bamboo marble		Carrara marble	
				Ref.	¥	Ref.	¥	Ref.	¥	Ref.	¥	Ref.	¥	Ref.	¥
6500x1500	0,63	127	x1	ME 02130	1.338.300	ME 02131	1.384.600	ME 02132	1.268.100	ME 02133	4.254.300	ME 02134	2.823.800	ME 02135	2.234.600
7000x1500	0,63	127	x1	ME 02141	1.356.200	ME 02142	1.398.800	ME 02143	1.285.000	ME 02144	4.473.400	ME 02145	2.970.100	ME 02146	2.350.900
7500x1500	0,63	127	x1	ME 02152	1.371.500	ME 02153	1.412.400	ME 02154	1.303.500	ME 02155	4.842.600	ME 02156	3.192.500	ME 02157	2.512.800

Amount of sand: 330 kgs. (3x111 lbs.)
 Cantidad de arena 333 lbs. (3x111 lbs.)

	6500x1500	7000x1500	7500x1500
 Up charge for TOP-TECH Power Box.	285.300	290.300	294.600
 Up charge for double USB charge.			29.400
 Up charge for power socket.			29.400

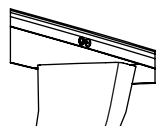


Top measures	Packaging info.			Table top													
				Oak		S600		Lacquered		Laminate		Laminate TP		Dekton Stone		Optical Glass	
				Ref.	¥	¥	Ref.	¥	Ref.	¥	Ref.	¥	Ref.	¥	Ref.	¥	
2200x1200	0,63	127	x1	ME 02158	288.500	37.500	ME 02159	244.200	ME 02160	282.500	ME 02161	272.700	ME 02162	576.400	ME 02163	327.300	
2400x1200	0,63	127	x1	ME 02170	297.600	41.400	ME 02171	252.300	ME 02172	289.500	ME 02173	279.400	ME 02174	599.200	ME 02175	334.300	
2600x1200	0,63	127	x1	ME 02182	377.600	55.600	ME 02183	284.200	ME 02184	351.700	ME 02185	371.100	ME 02186	675.300	ME 02187	413.100	
2800x1200	0,63	127	x1	ME 02194	383.500	60.300	ME 02195	295.100	ME 02196	356.000	ME 02197	377.600	ME 02198	720.100	ME 02199	431.500	

Top measures	Packaging info.			Table top											
				Ivory linoleum		White ultra-matte		White ultra-matte TP		Calacatta marble		Bamboo marble		Carrara marble	
				Ref.	¥	Ref.	¥	Ref.	¥	Ref.	¥	Ref.	¥	Ref.	¥
2200x1200	0,63	127	x1	ME 02164	361.800	ME 02165	375.200	ME 02166	361.300	ME 02167	1.085.200	ME 02168	772.300	ME 02169	643.300
2400x1200	0,63	127	x1	ME 02176	378.100	ME 02177	386.000	ME 02178	367.800	ME 02179	1.119.200	ME 02180	806.300	ME 02181	678.000
2600x1200	0,63	127	x1	ME 02188	469.800	ME 02189	516.700	ME 02190	483.200	ME 02191	1.360.800	ME 02192	957.400	ME 02193	791.200
2800x1200	0,63	127	x1	ME 02200	491.400	ME 02201	521.000	ME 02202	489.900	ME 02203	1.395.500	ME 02204	991.900	ME 02205	825.900

Amount of sand: 330 lbs. (3x50 ktp.)
 Cantidad de arena 333 lbs. (3x111 lbs.)

2200x1200	2400x1200	2600x1200	2800x1200
-----------	-----------	-----------	-----------



Up charge for TOP-TECH Power Box.

126.600	128.600	130.800	132.700
---------	---------	---------	---------



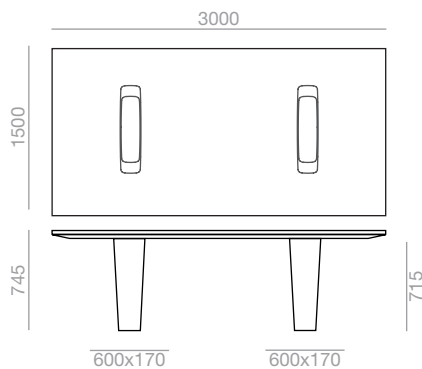
Up charge for double USB charge.

29.400



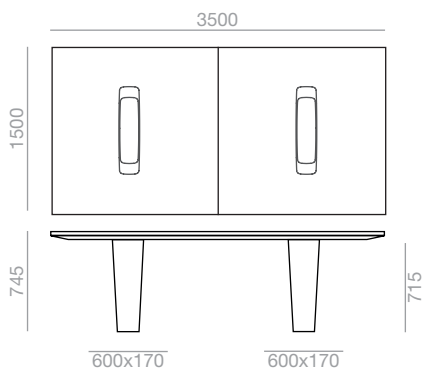
Up charge for power socket.

29.400





Top measures	Packaging info.			Table top										
				Oak		S600	Lacquered		Laminate		Laminate TP		Optical Glass	
3000x1500	0,63	127	x1	Ref.	¥	¥	Ref.	¥	Ref.	¥	Ref.	¥	Ref.	¥
				ME 02206	399.600	64.700	ME 02207	314.400	ME 02208	373.100	ME 02209	398.500	ME 02210	454.500

Top measures	Packaging info.			Table top											
				Ivory linoleum		White ultra-matte		White ultra-matte TP		Calacatta marble		Bamboo marble		Carrara marble	
3000x1500	0,63	127	x1	Ref.	¥	Ref.	¥	Ref.	¥	Ref.	¥	Ref.	¥		
				ME 02211	506.400	ME 02212	536.100	ME 02213	506.400	ME 02214	1.973.100	ME 02215	1.312.700	ME 02216	1.040.900






Amount of sand: 333 kg. (3x111 lbs.)
 Cantidad de arena 333 lbs. (3x111 lbs.)

-  Up charge for TOP-TECH Power Box. 141.200
-  Up charge for double USB charge. 29.400
-  Up charge for power socket. 29.400

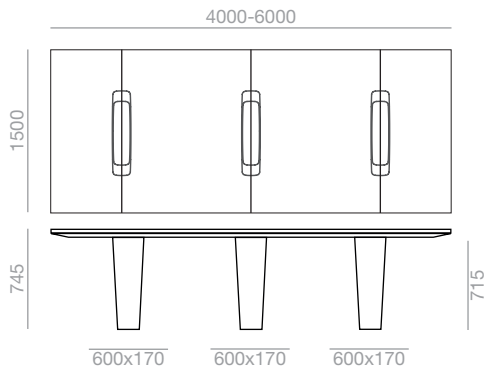
Top measures	Packaging info.			Table top										
				Oak		S600	Lacquered		Laminate		Laminate TP		Optical Glass	
3500x1500	0,63	127	x1	Ref.	¥	¥	Ref.	¥	Ref.	¥	Ref.	¥	Ref.	¥
				ME 02217	603.800	75.500	ME 02218	389.000	ME 02219	574.100	ME 02220	601.200	ME 02221	569.300

Top measures	Packaging info.			Table top												
				Ivory linoleum		White ultra-matte		White ultra-matte TP		Calacatta marble		Bamboo marble		Carrara marble		
3500x1500	0,63	127	x1	Ref.	¥	Ref.	¥	Ref.	¥	Ref.	¥	Ref.	¥			
				ME 02222	861.100	904.200	ME 02223	904.200	ME 02224	824.400	ME 02225	2.324.000	ME 02226	1.554.200	ME 02227	1.237.100

-  Up charge for TOP-TECH Power Box. 173.900
-  Up charge for double USB charge. 29.400
-  Up charge for power socket. 29.400

¥ ※ 価格に消費税は含まれておりません。
 JPY Suggested Retail Price.



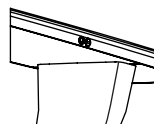


Top measures	Packaging info.			Table top											
				Oak		S600		Lacquered		Laminate		Laminate TP		Optical Glass	
				Ref.	¥	¥	Ref.	¥	Ref.	¥	Ref.	¥	Ref.	¥	
4000x1500	0,63	127	x1	ME 02228	639.000	86.300	ME 02229	432.500	ME 02230	607.800	ME 02231	637.300	ME 02232	626.000	
4500x1500	0,63	127	x1	ME 02239	660.200	96.900	ME 02240	459.500	ME 02241	624.000	ME 02242	657.100	ME 02243	658.600	
5000x1500	0,63	127	x1	ME 02250	677.600	107.700	ME 02251	486.200	ME 02252	638.300	ME 02253	674.500	ME 02254	703.000	
5500x1500	0,63	127	x1	ME 02261	695.500	118.500	ME 02262	517.600	ME 02263	653.100	ME 02264	695.500	ME 02265	752.800	
6000x1500	0,63	127	x1	ME 02272	709.600	129.300	ME 02273	545.100	ME 02274	668.000	ME 02275	713.500	ME 02276	831.100	

Top measures	Packaging info.			Table top											
				Ivory linoleum		White ultra-matte		White ultra-matte TP		Calacatta marble		Bamboo marble		Carrara marble	
				Ref.	¥	Ref.	¥	Ref.	¥	Ref.	¥	Ref.	¥	Ref.	¥
4000x1500	0,63	127	x1	ME 02233	895.200	ME 02234	937.900	ME 02235	861.200	ME 02236	2.689.800	ME 02237	1.846.200	ME 02238	1.498.800
4500x1500	0,63	127	x1	ME 02244	912.700	ME 02245	954.100	ME 02246	870.000	ME 02247	2.774.700	ME 02248	1.857.800	ME 02249	1.480.100
5000x1500	0,63	127	x1	ME 02255	929.100	ME 02256	968.400	ME 02257	897.700	ME 02258	2.982.500	ME 02259	1.992.100	ME 02260	1.584.400
5500x1500	0,63	127	x1	ME 02266	947.500	ME 02267	986.300	ME 02268	919.000	ME 02269	3.192.500	ME 02270	2.128.800	ME 02271	1.690.800
6000x1500	0,63	127	x1	ME 02277	962.600	ME 02278	1.000.900	ME 02279	936.700	ME 02280	3.400.700	ME 02281	2.263.700	ME 02282	1.795.400

Amount of sand: 330 kg. (3x110 kg.)
 Cantidad de arena 333 lbs. (3x111 lbs.)

4000x1500	4500x1500	5000x1500	5500x1500	6000x1500
-----------	-----------	-----------	-----------	-----------



Up charge for TOP-TECH Power Box.

176.200	180.500	185.000	189.300	196.600
---------	---------	---------	---------	---------



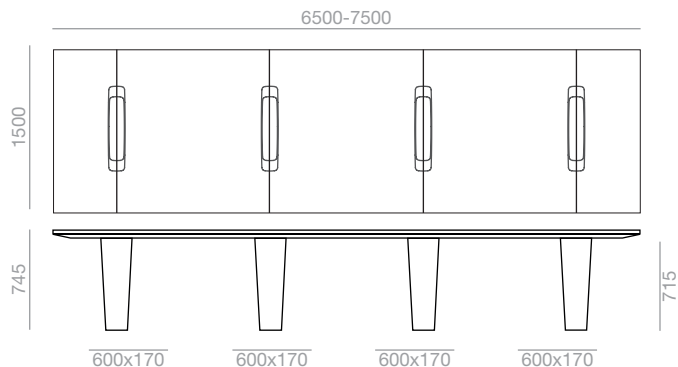
Up charge for double USB charge.

29.400



Up charge for power socket.

29.400

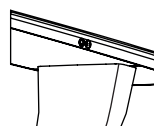


Top measures	Packaging info.			Table top										
				Oak		S600	Lacquered		Laminate		Laminate TP		Optical Glass	
				Ref.	¥	¥	Ref.	¥	Ref.	¥	Ref.	¥	Ref.	¥
6500x1500	0,63	127	x1	ME 02283	932.600	140.000	ME 02284	630.000	ME 02285	884.000	ME 02286	925.600	ME 02287	886.800
7000x1500	0,63	127	x1	ME 02294	950.000	150.800	ME 02295	651.100	ME 02296	897.700	ME 02297	942.500	ME 02298	938.700
7500x1500	0,63	127	x1	ME 02305	967.400	161.600	ME 02306	672.300	ME 02307	919.000	ME 02308	960.900	ME 02309	971.200

Top measures	Packaging info.			Table top											
				Ivory linoleum		White ultra-matte		White ultra-matte TP		Calacatta marble		Bamboo marble		Carrara marble	
				Ref.	¥	Ref.	¥	Ref.	¥	Ref.	¥	Ref.	¥	Ref.	¥
6500x1500	0,63	127	x1	ME 02288	1.338.300	ME 02289	1.384.600	ME 02290	1.268.100	ME 02291	4.108.600	ME 02292	2.678.700	ME 02293	2.089.700
7000x1500	0,63	127	x1	ME 02299	1.356.200	ME 02300	1.398.800	ME 02301	1.285.000	ME 02302	4.317.000	ME 02303	2.813.700	ME 02304	2.194.500
7500x1500	0,63	127	x1	ME 02310	1.371.500	ME 02311	1.412.400	ME 02312	1.303.500	ME 02313	4.676.900	ME 02314	3.026.800	ME 02315	2.347.300

Amount of sand: 333 lbs. (3x50 ktp).
 Cantidad de arena 333 lbs. (3x111 lbs.)

6500x1500	7000x1500	7500x1500
-----------	-----------	-----------



Up charge for TOP-TECH Power Box.

238.700 243.200 246.900



Up charge for double USB charge.

29.400

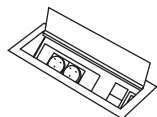


Up charge for power socket.

29.400

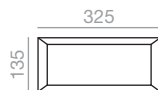
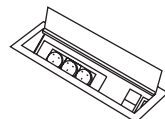
PS-CONNECTIVITY

PS-0752



112.200

PS-0753



121.500

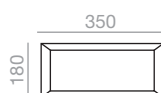
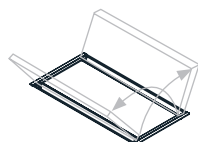
PS-0718



34.700

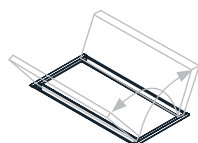
PS-INTEGRATED

PS-0711



105.900

PS-0721



123.100

PS-QI

PS-0714



47.500

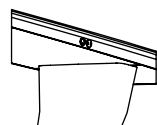
PS-UNDERTOP

PS-0715



35.700

PS TOP-TECH



See table mesures

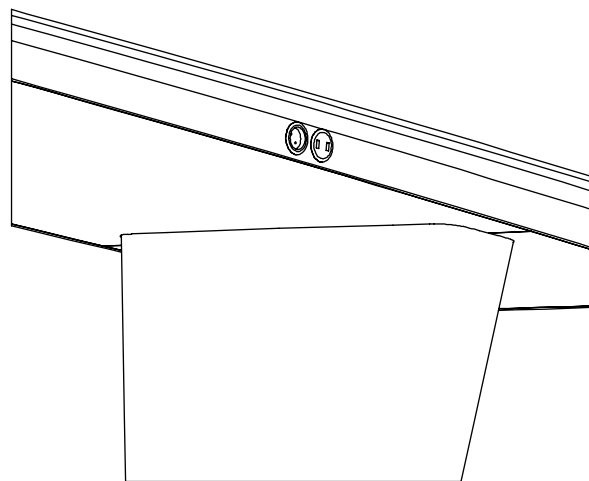
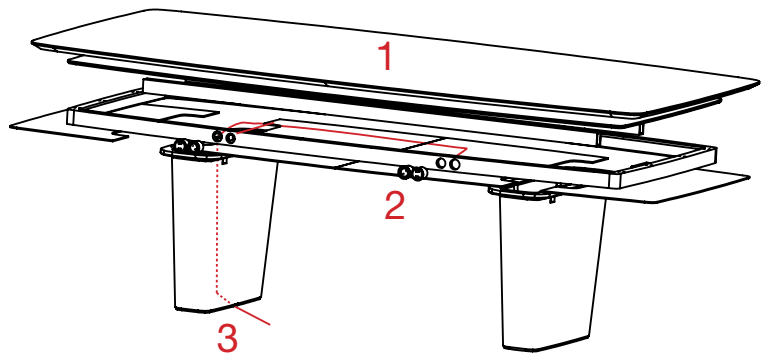
Preinstalled (optional)
Preinstalación (optional)

IN-0006 55.200

**UNDER-TOP HI-TECH POWER BOXES
CAJA DE CONEXIONES HI-TECH BAJO EL SOBRE**

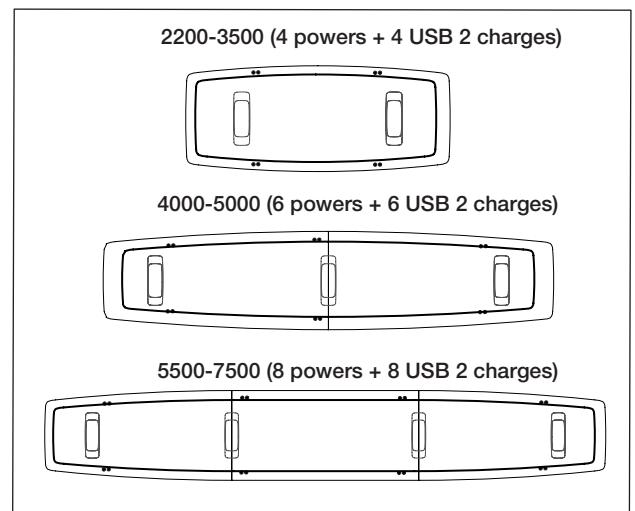
Aluminum power box mounted in the table top with a folding protective lid. Available for any Reverse model. It is served in anodized silver color, for other finishing, contact the Customer Department.

There are two power system sizes available and data slots can be customized according to the below diagram .



1 POWER BOXES DISTRIBUTION

By default power box is placed in the center of the table and in lengthwise direction. If more than one power box is installed, inform the Customer Department about the desired position.



2 WIRING MANAGEMENT

Wire pass through an aluminum grommet keeping it hidden. By default color is silver, for other finishings ask the Customer Department.

OPTIONAL PREINSTALLED WIRING

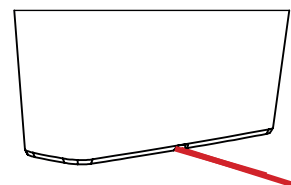
IN-0006

Preinstalled wiring consists in the addition of the necessary mechanisms to integrate power systems in the table, so that wiring is hidden until the way out in the floor. Necessary grommet are included and 3m cable (from the power system). For other cable dimensions contact the Sales Department.

For each wire Reverse base, you must ask for une IN-0006 to the Customer Department.

3 CABLE WAY OUT

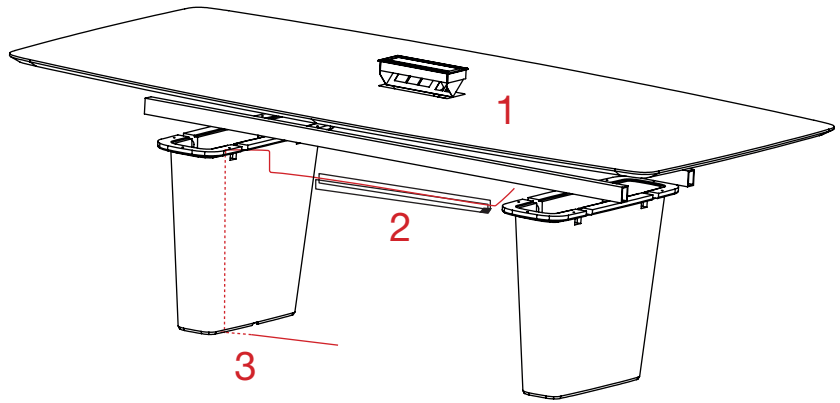
The cable way out can be performed directly from the power system or thru a canal in the base bottom, so that is hidden until it gets to the floor.



IN-SURFACE POWER BOXES

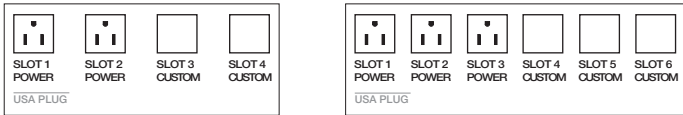
Aluminum power box mounted in the table top with a folding protective lid. Available for any Reverse model. It is served in anodized silver color, for other finishing, contact the Customer Department.

There are two power system sizes available and data slots can be customized according to the below diagram .

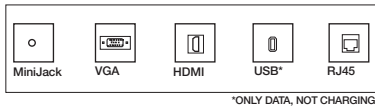


PS-0752

PS-0753

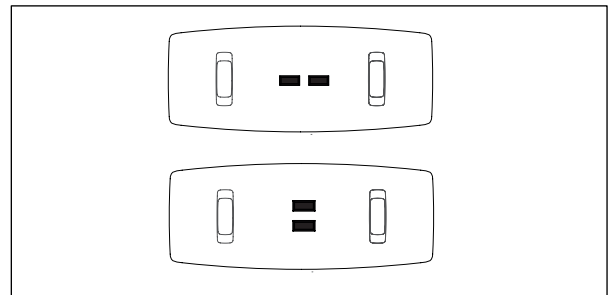


CHOOSE DATA PORT FOR DATA CUSTOM PORT SLOTS



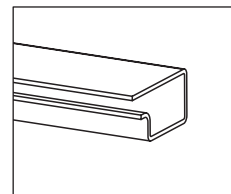
1 POWER BOXES DISTRIBUTION

By default power box is placed in the center of the table and in lengthwise direction. If more than one power box is installed, inform the Customer Department about the desired position.



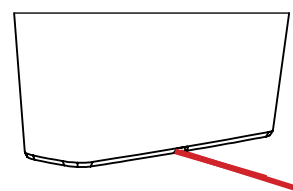
2 WIRING MANAGEMENT

Wire pass through an aluminum grommet keeping it hidden. By default color is silver, for other finishings ask the Customer Department.



3 CABLE WAY OUT

The cable way out can be performed directly from the power system or thru a canal in the base bottom, so that is hidden until it gets to the floor.



OPTIONAL PREINSTALLED WIRING

IN-0006

Preinstalled wiring consists in the addition of the necessary mechanisms to integrate power systems in the table, so that wiring is hidden until the way out in the floor.

Necessary grommet are included and 3m cable (from the power system). For other cable dimensions contact the Customer Department. Tables with only one base are exempt of this charge, for the rest of tables ask the Customer Department.