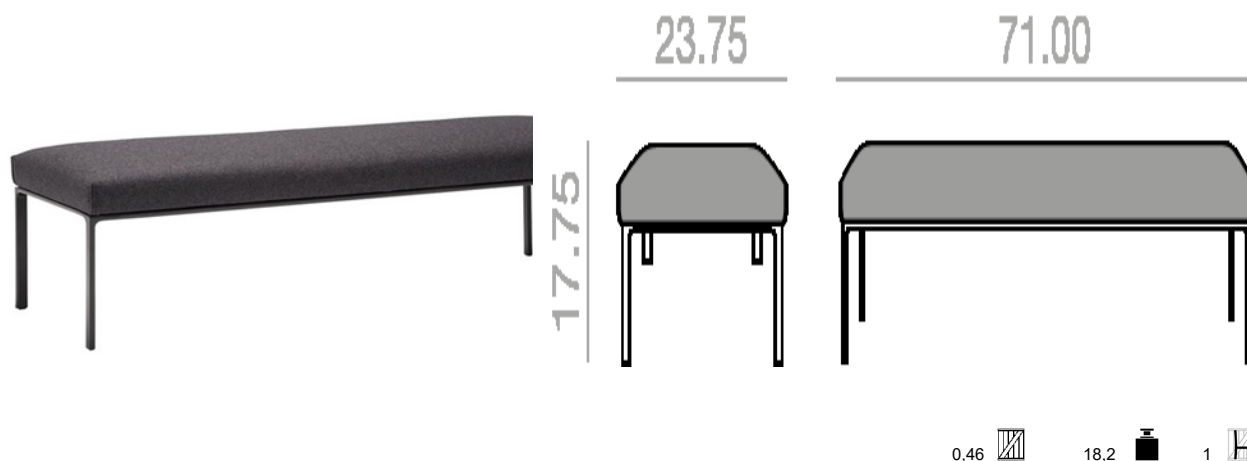
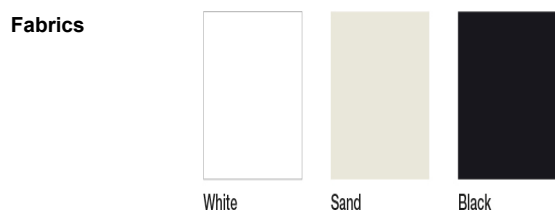


3-seater bench with 4-legged aluminum injected base available in polished aluminum, white and black. Piping available in fabric to match upholstery on the bench, white, black or sand color.



- Frame** 4-legged aluminum injected base.
- Seat** Solid beech structure with flame retardant polyurethane flexible foam with a density between 25 kg/m³ and 40 kg/m³.
- Back** Solid beech structure with flame retardant polyurethane flexible foam with a density between 55 lb/ft³ and 88 lb/ft³ (25 kg/m³ and 40 kg/m³).
- Arms** Solid beech wood covered with flexible flame retardant polyurethane foam with density between 25 kg/m³ and 40 kg/m³.
- Other materials** Zinc-nickel electrolyte screws. Galvanized staples. Polyvinyl acetate glue.
- Accessories** Felt glides.



- Resistance and Quality** ISO 9001:2008
UNE-EN 16139:2013
- Fireproof** BKZ 5.2
BS 5852:1982 Part 2
California Technical Bulletin 117
UNE-EN 1021-1:2006
UNI 9175 (class 1 IM)

Andreu World

BC2078

Raglan

Piergiorgio Cazzaniga

Sustainability

ISO 14001:2004

ISO 14006:2011

level 1 ANSI/BIFMA