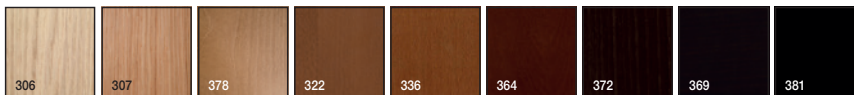


Description
Descripción

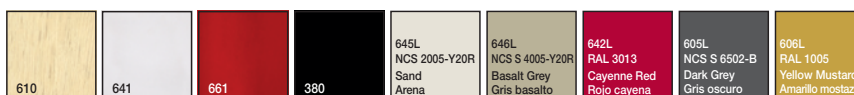
Conference Table using a 100% recyclable polyethylene base and combined with various tops such as natural oak and lacquered. Reverse Conference is offered in 14 standard sizes and its modular system allow for maximum flexibility to have a one single base or multiple bases, making it a very versatile Conference Table for multitude of meeting spaces applications. The table bases are available in matte or gloss finish in 6 different colors. Reverse Conference is also available with wire management.

Programa de mesa de reuniones con bases de polietileno 100% reciclable y sobres de 30mm. chapado en roble o acabado lacado. Realizados en una pieza o en composición de varios tramos, según la medida total de la mesa. Se ofrece en 14 medidas. Acabado de base mate o brillo en 6 colores diferentes. Esta mesa se sirve con contrapeso. Disponible sistema de conexiones.

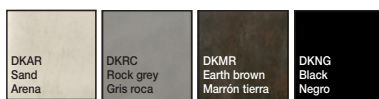
Wood finish
Acabado madera
Oak / Roble



Premium finish and wood lacquers
Acabado premium y lacas madera



Dekton Stone finish
Acabado Dekton Stone



Laminate
Laminado



Laminate TP*
Laminado TP*



*Laminate table top with matching thermopolymer edge.
*Sobre de mesa laminado con canto de termopolímero a juego.

Glass finish
Acabado cristal
Tops / Sobres



Polyethylene finish
Acabado de polietileno



Power box
Caja de conexiones



Certificates

Quality - Resistance
Calidad - Resistencia

UNE EN 15372:2008
UNE EN 1730:2013

Custom finish up charge:

Custom stain up charge \$ 240 NET.
More than 10 items (Free custom color).

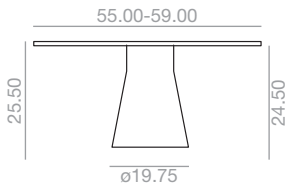
Air freight packaging required, add \$80 net per table.

Intellectual property / Propiedad intelectual

All our collections are protected by international industrial design registries, designs patents, copyrights and Intellectual Property laws. Unauthorised use of AW International Property is a criminal offence and can lead to prosecution.

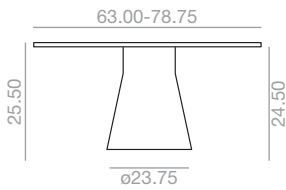
Todas nuestras colecciones están protegidas por registros de diseño industrial, diseño de patente, copyright y derechos de propiedad intelectual en todo el mundo. El uso no autorizado de los diseños y propiedad intelectual de AW supone un delito que puede ser sometido a acción judicial.





This base is provided with a sand filled counterweight. Amount of sand: 111lbs.

Esta base se sirve rellena de arena. Cantidad de arena 111lbs.



This base is provided with a sand filled counterweight. Amount of sand: 166lbs.

Esta base se sirve rellena de arena. Cantidad de arena 166lbs.

| Top measures Medidas sobre | Packaging info. Datos de embalaje | | | Table top / Sobre | | | | | | |
|-------------------------------|--------------------------------------|-----|-----|-------------------|-------|-------|---------------------|-------|------------------|-------|
| | boxes bultos | kg | pcs | Oak Roble | | \$600 | Lacquered Lacado | | Glass Cristal | |
| | | | | Ref. | \$ | \$ | Ref. | \$ | Ref. | \$ |
| 55.00x55.00 | 21.00 | 289 | x1 | ME 5500 | 1,917 | 339 | ME 5507 | 1,976 | ME 5514 | 2,685 |
| 59.00x59.00 | 24.25 | 305 | x1 | ME 5501 | 1,937 | 352 | ME 5508 | 2,052 | ME 5515 | 2,800 |
| 63.00x63.00 | 25.50 | 322 | x1 | ME 5502 | 2,211 | 372 | ME 5509 | 2,265 | ME 5516 | 3,052 |
| 67.00x67.00 | 27.75 | 340 | x1 | ME 5503 | 2,319 | 419 | ME 5510 | 2,354 | ME 5517 | 3,215 |
| 70.75x70.75 | 29.75 | 359 | x1 | ME 5504 | 2,437 | 470 | ME 5511 | 2,441 | ME 5518 | 3,343 |
| 74.75x74.75 | 27.75 | 340 | x1 | ME 5505 | 2,576 | 526 | ME 5512 | 2,530 | ME 5519 | 3,544 |
| 78.75x78.75 | 29.75 | 359 | x1 | ME 5506 | 2,728 | 585 | ME 5513 | 2,622 | ME 5520 | 3,796 |

| Top measures Medidas sobre | Packaging info. Datos de embalaje | | | Table top / Sobre | | | | | | |
|-------------------------------|--------------------------------------|-----|-----|-------------------|-------|-------|---------------------|-------|------------------|-------|
| | boxes bultos | kg | pcs | Oak Roble | | \$600 | Lacquered Lacado | | Glass Cristal | |
| | | | | Ref. | \$ | \$ | Ref. | \$ | Ref. | \$ |
| ø55.00 | 16.25 | 266 | x1 | ME 5521 | 1,920 | 339 | ME 5528 | 1,978 | ME 5535 | 2,902 |
| ø59.00 | 18.75 | 279 | x1 | ME 5522 | 1,935 | 352 | ME 5529 | 2,050 | ME 5536 | 3,059 |
| ø63.00 | 22.25 | 292 | x1 | ME 5523 | 2,252 | 372 | ME 5530 | 2,237 | ME 5537 | 3,298 |
| ø67.00 | 23.75 | 306 | x1 | ME 5524 | 2,369 | 419 | ME 5531 | 2,322 | ME 5538 | 3,441 |
| ø70.75 | 25.50 | 321 | x1 | ME 5525 | 2,474 | 470 | ME 5532 | 2,407 | ME 5539 | 3,620 |
| ø74.75 | 27.25 | 337 | x1 | ME 5526 | 3,231 | 526 | ME 5533 | 2,496 | ME 5540 | 3,763 |
| ø78.75 | 29.00 | 354 | x1 | ME 5527 | 3,328 | 585 | ME 5534 | 2,596 | ME 5541 | 4,059 |

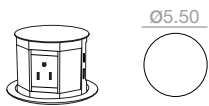
| Top measures Medidas sobre | Packaging info. Datos de embalaje | | | Table top / Sobre | | | | | | |
|---------------------------------|--------------------------------------|-----|-----|-------------------|-------|-------|---------------------|-------|------------------|-------|
| | boxes bultos | kg | pcs | Oak Roble | | \$600 | Lacquered Lacado | | Glass Cristal | |
| | | | | Ref. | \$ | \$ | Ref. | \$ | Ref. | \$ |
| ellipse / elipse 55.00x55.00 | 20.25 | 286 | x1 | ME 5542 | 1,920 | 339 | ME 5549 | 1,978 | ME 5556 | 2,928 |
| ellipse / elipse 59.00x59.00 | 23.50 | 303 | x1 | ME 5543 | 1,935 | 352 | ME 5550 | 2,050 | ME 5557 | 3,087 |
| ellipse / elipse 63.00x63.00 | 23.50 | 303 | x1 | ME 5544 | 2,252 | 372 | ME 5551 | 2,237 | ME 5558 | 3,330 |
| ellipse / elipse 67.00x67.00 | 25.25 | 318 | x1 | ME 5545 | 2,354 | 419 | ME 5552 | 2,322 | ME 5559 | 3,507 |
| ellipse / elipse 70.75x70.75 | 27.00 | 334 | x1 | ME 5546 | 2,474 | 470 | ME 5553 | 2,407 | ME 5560 | 3,691 |
| ellipse / elipse 74.75x74.75 | 29.00 | 352 | x1 | ME 5547 | 3,231 | 526 | ME 5554 | 2,496 | ME 5561 | 3,837 |
| ellipse / elipse 78.75x78.75 | 30.75 | 370 | x1 | ME 5548 | 3,328 | 585 | ME 5555 | 2,596 | ME 5562 | 4,050 |



Bright lacquered base up charge
Incremento por base laca brillo

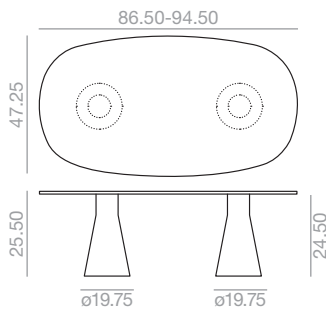
822

PS-0694



Socket Tower available for Reverse Conference collection. The system is hidden within the table and with a slight push, it automatically rises. It contains 3 Schuko sockets and 2 internet RJ45 connections. Connections box available in RAL 9006, silver. Valid for tables with Reverse 50 base and 60. Suitable in for various plug types. Please, specify the final installation country. For other options of connection, please contact the Customer Department. Preinstalled optional.

Torre de conexiones válida para las mesas de la colección Programa Reverse. El sistema queda oculto en la mesa, y ejerciendo una ligera presión, se eleva automáticamente. Contiene 3 enchufes schuko y 2 conexiones de red RJ45. Acabado plata RAL 9006. Disponible en varios modelos de enchufe. Por favor, especificar el país de destino. Para otras opciones de conexiones contactar con el Departamento Comercial. Preinstalación opcional.



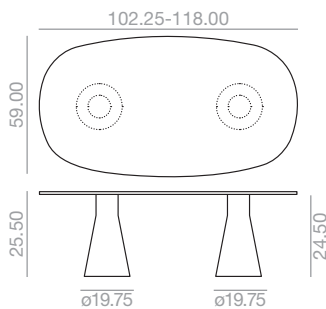
| Top measures Medidas sobre | Packaging info. Datos de embalaje | | | Table top / Sobre | | | | | | | | | | | | |
|-------------------------------|--------------------------------------|--------|----------|-------------------|-------|-------|---------|------------------|---------|-------------------|---------|-------------------------|---------|--------------|---------|---------------|
| | | | | Oak Roble | | \$600 | | Lacquered Lacado | | Laminate Laminado | | Laminate TP Laminado TP | | Dekton Stone | | Glass Cristal |
| | 3 boxes 3 bultos | Weight | Quantity | Ref. | \$ | \$ | Ref. | \$ | Ref. | \$ | Ref. | \$ | Ref. | \$ | Ref. | \$ |
| 86.50x47.25 | 22.25 | 280 | x1 | ME 5563 | 2,707 | 385 | ME 5565 | 2,180 | ME 5567 | 3,356 | ME 5569 | 3,680 | ME 5571 | 4,789 | ME 5573 | 3,417 |
| 94.50x47.25 | 23.75 | 292 | x1 | ME 5564 | 2,748 | 424 | ME 5566 | 2,220 | ME 5568 | 3,393 | ME 5570 | 3,731 | ME 5572 | 5,000 | ME 5574 | 3,520 |

Amount of sand: 112 lbs. (2x56 lbs.)
Cantidad de arena 112 lbs. (2x56 lbs.)



Bright lacquered bases up charge
Incremento por bases laca brillo

1,306



| Top measures Medidas sobre | Packaging info. Datos de embalaje | | | Table top / Sobre | | | | | | | | | | | | |
|-------------------------------|--------------------------------------|--------|----------|-------------------|-------|-------|---------|------------------|---------|-------------------|---------|-------------------------|---------|---------------|---------|---------------|
| | | | | Oak Roble | | \$600 | | Lacquered Lacado | | Laminate Laminado | | Laminate TP Laminado TP | | *Dekton Stone | | Glass Cristal |
| | 3 boxes 3 bultos | Weight | Quantity | Ref. | \$ | \$ | Ref. | \$ | Ref. | \$ | Ref. | \$ | Ref. | \$ | Ref. | \$ |
| 102.50x59.25 | 35.50 | 531 | x1 | ME 5575 | 4,146 | 574 | ME 5578 | 3,154 | ME 5581 | 5,076 | ME 5584 | 5,439 | ME 5587 | 6,459 | ME 5590 | 4,744 |
| 110.25x59 | 36.75 | 546 | x1 | ME 5576 | 4,191 | 620 | ME 5579 | 3,228 | ME 5582 | 5,117 | ME 5585 | 5,506 | ME 5588 | 6,726 | ME 5591 | 4,907 |
| 118.25x59.25 | 38.50 | 560 | x1 | ME 5577 | 4,231 | 667 | ME 5580 | 3,296 | ME 5583 | 5,157 | ME 5586 | 5,581 | ME 5589 | 6,983 | ME 5592 | 5,072 |

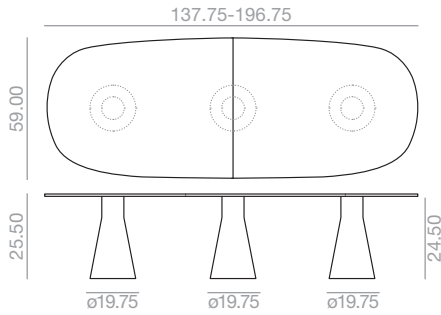
Amount of sand: 224 lbs. (2x112 lbs.)
Cantidad de arena 224 lbs. (2x112 lbs.)



Bright lacquered bases up charge
Incremento por bases laca brillo

1,644

*Maximum width 1440
*Ancho máximo 1440



| Top measures Medidas sobre | Packaging info. Datos de embalaje | | | Table top / Sobre | | | | | | | | | | | | |
|-------------------------------|--------------------------------------|-----|----|-------------------|-------|-------|---------------------|-------|----------------------|-------|----------------------------|-------|---------------|--------|------------------|-------|
| | | | | Oak Roble | | \$600 | Lacquered Lacado | | Laminate Laminado | | Laminate TP Laminado TP | | *Dekton Stone | | Glass Cristal | |
| | 1/15 boxes bultos | 4 | □ | Ref. | \$ | \$ | Ref. | \$ | Ref. | \$ | Ref. | \$ | Ref. | \$ | Ref. | \$ |
| 137.75x59.00 | 50 | 767 | x1 | ME 5593 | 6,694 | 778 | ME 5595 | 4,456 | ME 5597 | 8,941 | ME 5599 | 9,489 | ME 5601 | 10,959 | ME 5603 | 6,657 |
| 157.50x59.00 | 53.75 | 803 | x1 | ME 5594 | 6,783 | 889 | ME 5596 | 4,615 | ME 5598 | 9,020 | ME 5600 | 9,620 | ME 5602 | 11,735 | ME 5604 | 7,087 |
| 177.25x59.00 | 57.75 | 840 | x1 | ME 5605 | 6,959 | 998 | ME 5607 | 4,876 | ME 5609 | 9,146 | ME 5611 | 9,798 | ME 5613 | 12,637 | ME 5615 | 7,591 |
| 196.75x59.00 | 61.5 | 877 | x1 | ME 5606 | 7,085 | 1,109 | ME 5608 | 5,072 | ME 5610 | 9,248 | ME 5612 | 9,952 | ME 5614 | 13,467 | ME 5616 | 8,081 |

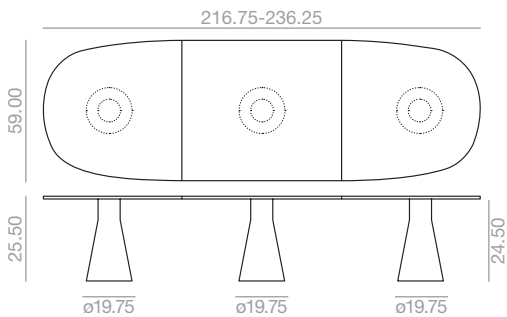
Amount of sand: 336 lbs. (3x112 lbs.)
Cantidad de arena 336 lbs. (3x112 lbs.)



Bright lacquered bases up charge
Incremento por bases laca brillo

2,469

*Maximum width 1440
*Ancho máximo 1440



| Top measures Medidas sobre | Packaging info. Datos de embalaje | | | Table top / Sobre | | | | | | | | | | | | |
|-------------------------------|--------------------------------------|-----|----|-------------------|-------|-------|---------------------|-------|----------------------|--------|----------------------------|--------|---------------|--------|------------------|-------|
| | | | | Oak Roble | | \$600 | Lacquered Lacado | | Laminate Laminado | | Laminate TP Laminado TP | | *Dekton Stone | | Glass Cristal | |
| | 1/15 boxes bultos | 4 | □ | Ref. | \$ | \$ | Ref. | \$ | Ref. | \$ | Ref. | \$ | Ref. | \$ | Ref. | \$ |
| 216.50x59.00 | 65.5 | 914 | x1 | ME 5617 | 8,859 | 1,220 | ME 5619 | 5,544 | ME 5621 | 9,396 | ME 5623 | 10,154 | ME 5625 | 14,570 | ME 5627 | 8,781 |
| 236.25x59.00 | 69.75 | 951 | x1 | ME 5618 | 8,983 | 1,331 | ME 5620 | 5,741 | ME 5622 | 12,485 | ME 5624 | 13,294 | ME 5626 | 14,798 | ME 5628 | 9,263 |

Amount of sand: 336 lbs. (3x112 lbs.)
Cantidad de arena 336 lbs. (3x112 lbs.)



Bright lacquered bases up charge
Incremento por bases laca brillo

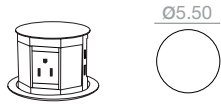
2,469

*Maximum width 1440
*Ancho máximo 1440

Socket tower / Torre de conexiones

983

PS-0694



Power column mounted in the table top. The hidden system automatically rises with a slight push. Valid for Reverse Conferences with bases Reverse 50 and 60. Available in silver color, for other finishing, contact the Customer Department.

Torre de conexiones integrada dentro de la superficie del sobre. El sistema eléctrico oculto se alza automáticamente al pulsarlo. Disponible mesas Reverse Conference con bases Reverse 50 y 60.

Se sirve en color plata, para otros acabados consultar al Departamento Comercial.

Aluminum power box mounted in the table top with a folding protective lid. Available for any Reverse Conference model. It is served in anodized silver color, for other finishing, contact the Customer Department.

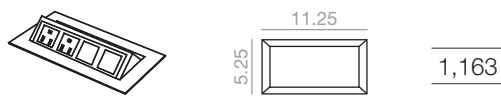
Caja de conexiones de aluminio integrada dentro de la superficie del sobre con tapa abatible, disponible para cualquier modelo de mesa Reverse Conference. Se sirve en color anodizado plata, para otros acabados consultar al Departamento Comercial.

There are two power system sizes available and data slots can be customized according to the below diagram.

Se ofrecen dos tamaños de caja diferentes y con conectividad configurable, acorde al siguiente esquema:

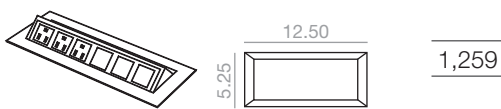
Power box / Sistema de conexiones

PS-0752



Preinstalled (optional)
Preinstalación (optional)

PS-0753



IN-0006 544

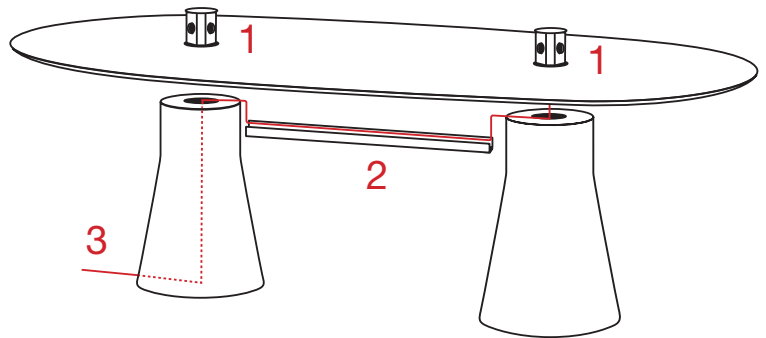
**IN-SURFACE SOCKET POWERS
TORRES DE CONEXIONES DENTRO DEL SOBRE**

Power column mounted in the table top. The hidden system automatically rises with a slight push. Valid for Reverse Conferences with bases Reverse 50 and 60.

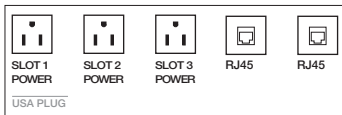
Available in silver color, for other finishing, contact the Customer Department.

Torre de conexiones integrada dentro de la superficie del sobre. El sistema eléctrico oculto se alza automáticamente al pulsarlo. Disponible mesas Reverse Conference con bases Reverse 50 y 60.

Se sirve en color plata, para otros acabados consultar al Departamento Comercial.



PS-0694



1 POWER BOXES DISTRIBUTION / DISTRIBUCIÓN DE SISTEMAS

By default, power columns are centered with the Reverse base.

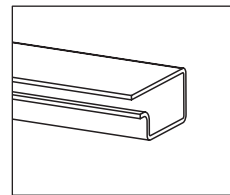
De serie la columna de electrificación se coloca coincidiendo con la base Reverse.



2 WIRING MANAGEMENT / GESTIÓN DEL CABLEADO

Wire pass thru a aluminum grommet, keeping it hidden. By default color is silver, for other finishing ask the Customer Department.

El cable se pasa a través de un perl pasacables de aluminio que lo mantiene oculto. Su color de serie es el plata, para otros acabados consultar al Departamento Comercial.



OPTIONAL PREINSTALLED WIRING / PREINSTALACIÓN DEL CABLEADO

IN-0006

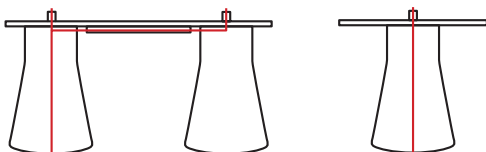
Preinstalled wiring consists in the addition of the necessary mechanisms to integrate power systems in the table, so that wiring is hidden until the way out in the floor.

Necessary grommet are included and 3m cable (from the power system). For other cable dimensions contact the Customer Department.

Tables with only one base are exempt of this charge, for the rest of tables ask the Customer Department.

La preinstalación consiste en el montaje de los mecanismos necesarios para integrar el sistema de electrificación en la mesa., de modo que el cableado quede oculto hasta su salida por la base. Se incluyen los pasacables necesarios y 3 metros de cable (midiendo desde el sistema de conexiones).

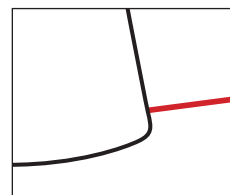
Las mesas de una sola base quedan exentas de este cargo, para el resto consultar al Departamento Comercial.



3 CABLE WAY OUT / SALIDA DE CABLEADO

The cable way out can be performed directly from the power system or thru a canal in the base bottom, so that is hidden until it gets to the floor.

La salida del cable se realiza directamente desde el propio sistema como por unas canalizaciones en la parte inferior de la base, de modo que el cable queda oculto hasta llegar al suelo.



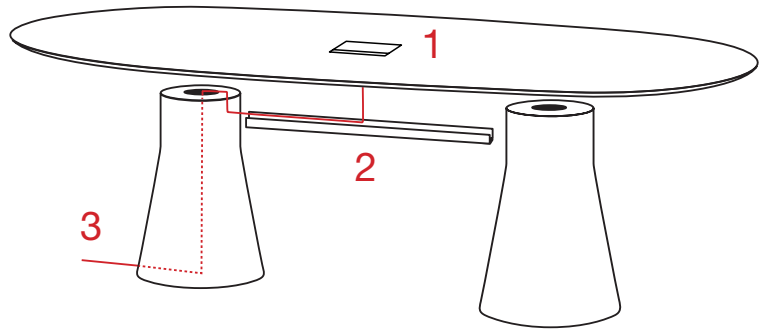
**IN-SURFACE POWER BOXES
CAJAS DE CONEXIONES DENTRO DEL SOBRE**

Aluminum power box mounted in the table top with a folding protective lid. Available for any Reverse Conference model. It is served in anodized silver color, for other finishing, contact the Customer Department.

There are two power system sizes available and data slots can be customized according to the below diagram .

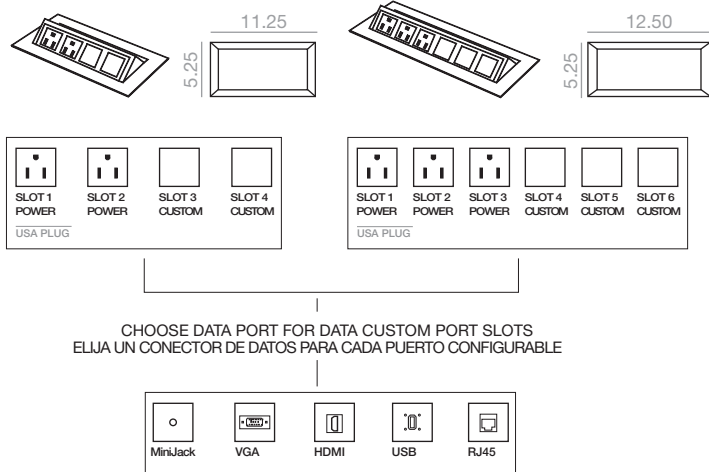
Caja de conexiones de aluminio integrada dentro de la superficie del sobre con tapa abatible, disponible para cualquier modelo de mesa Reverse Conference. Se sirve en color anodizado plata, para otros acabados consultar al Departamento Comercial.

Se ofrecen dos tamaños de caja diferentes y con conectividad configurable, acorde al siguiente esquema:



PS-0752

PS-0753



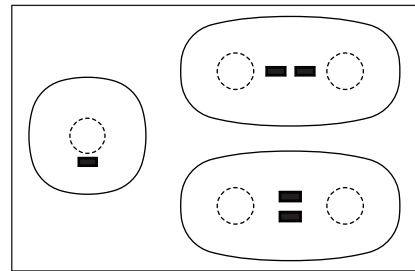
1 POWER BOXES DISTRIBUTION / DISTRIBUCIÓN DE SISTEMAS

In tables with only one Reverse base power box can't be centered with the base.

In tables with more than one base, by default power box is placed in the center of the table and in lengthwise direction. If more than one power box in installed, infor the Customer Department about the desired position.

En mesas con una sola base el sistema eléctrico iría instalado descentrado respecto a la base.

En mesas con más de una base, por defecto la posición del sistema irá en el centro de la mesa y en sentido longitudinal. Si se solicita más de un sistema eléctrico, comunicar la posición deseada al Departamenteo Comercial.



OPTIONAL PREINSTALLED WIRING / PREINSTALACIÓN DEL CABLEADO

IN-0006

Preinstalled wiring consists in the addition of the necessary mechanisms to integrate power systems in the table, so that wiring is hidden until the way out in the floor.

Necessary grommet are included and 3m cable (from the power system). For other cable dimensions contact the Sales Department.

For each wire Reverse base, you must ask for une IN-0006 to the Customer Department.

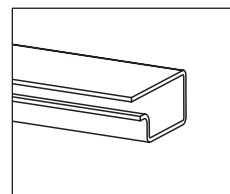
La preinstalación consiste en el montaje de los mecanismos necesarios para integrar el sistema de electrificación en la mesa., de modo que el cableado quede oculto hasta su salida por la base. Se incluyen los pasacables necesarios y 3 metros de cable (midiéndolo desde el sistema de conexiones).

Por cada base por al que se desee bajar el cable se solicita un IN-0006 al Departamento Comercial.

2 WIRING MANAGEMENT / GESTIÓN DEL CABLEADO

Wire pass thru a aluminum grommet, keeping it hidden. By default color is silver, for othe finishing ask the Customer Department.

El cable se pasa a través de un perl pasacables de aluminio que lo mantiene oculto. Su color de serie es el plata, para otros acabados consultar al Departamento Comercial.



3 CABLE WAY OUT / SALIDA DE CABLEADO

The cable way out can be performed directly from the power system or thru a canal in the base bottom, so that is hidden until it gets to the floor.

La salida del cable se realiza directamente desde el propio sistema como por unas canalizaciones en la parte inferior de la base, de modo que el cable queda oculto hasta llegar al suelo.

